



# **Flex Power Pack**

**By Fluid Power Products, Inc.**

302 Turnpike Road  
Southborough, MA 01772

1777 Northgate Blvd.  
Sarasota, FL 34234

P:(508) 481-8881 F:(508) 485-4346 P:(941) 360-3311 F:(941) 360-0294

[www.fppinc.com](http://www.fppinc.com)

## **Series 10 & Series 15 Modular Hydraulic Power Units**



**Series 10**                      **Series 15**  
**Flows to 3 GPM**    **Flows to 6 GPM**

**Fractional thru 5 Horsepower**  
**Pressures to 4000 psi**

### **Standard features include...**

- Single manifold base unit**
- Direct acting or pilot operated relief valve**
- Pressure gage with gage snubber**
- Guarded sight gage with thermometer**
- Filtered air breather**
- Return line filter with condition indicator**
- Provision to directly add bar manifolds**
- Fill port directs all new oil thru filter**
- Oversize SAE threaded drain plug**
- Filter element drain valve**

# Flex Power Pack

## Series 10 and Series 15 Modular Hydraulic Power Units - 1/2 to 5 HP - Ordering Code

**Pump**  
**P00L**

**Motor**  
**M00**

**Tank**  
**T0L**

**Control Base Assembly With Return Filter and Tank Cover**  
**A 1 D A**

**Directional Manifold**  
**D 0 0**

**Tank**

T0 = No tank
T1L = 4 Gal
T2L = 7 Gal
T3L = 10 Gal
T4L = 15 gal
T5L = 20 Gal
T6L = 25 Gal

**Control Base Assembly with Filter and Tank Cover**

A = Series 10 (3 gpm max.)
B = Series 15 (6 gpm max.)
L = Series 10 Power Up/Gravity Dn (3 GPM max.)

**Relief Valve Pressure Range**

Pressure Range	Standard Setting	Gauge (supplied)
A = 500-3000 PSI	1000 PSI	0-5000 PSI
B = 300-1500 PSI	1000 PSI	0-1500 PSI
D = 200-800 PSI	400 PSI	0-1000 PSI
W= 800-4500 PSI	1000 PSI	0-5000 PSI

**Relief Valve**

D = Direct Acting
P = Pilot Operated

**10 Micron Filter**

1 = Cellulose Element - Standard
1L = Cellulose Element - High Capacity*
2 = Synthetic Element - Standard
2L = Synthetic Element - High Capacity*

**Bolt On Directional Valve Manifolds**  
(Manifold Only, Parallel Circuit)

Omit for no Directional Valve Mounting

D31H = D03 1 Station (horizontal)
D32H = D03 2 Station (horizontal)
D32V = D03 2 Station (vertical)
D33V = D03 3 Station (vertical)
D34V = D03 4 Station (vertical)
D35V = D03 5 Station (vertical)
D36V = D03 6 Station (vertical)

(Manifold Only, Series Circuit)

D32S = D03 2 Station (horizontal)
-----------------------------------

**Other parts and accessories**

Handknob kit for relief valve, Series 10 - P/N 991-222
Handknob kit for relief valve, Series 15 - P/N 991-211
Handknob kit for filter drain valve - P/N 991-222
Tamper resistant cover for relief valve, Series 10 - P/N 991-000
Tamper resistant cover for relief valve, Series 15 - P/N 991-001
Key lock kit for relief valve, Series 15 - P/N 993-008
Touch-up paint - 16oz aerosol spray can - P/N MG1000-G30
A040 = Mini series 10/15 filler breather w/ss screen

**Electric Motor - 1725 RPM Totally Enclosed Fan Cooled**

Motor Code	M11	M13	M21	M23	M31	M33	M41	M43	M51	M53	M63	M73
Voltage	115/230	230/460	115/230	230/460	115/230	230/460	115/230	230/460	115/230	230/460	230/460	230/460
Phase	Single	Three	Single	Three	Single	Three	Single	Three	Single	Three	Three	Three
HP of motor	1/2 HP		3/4 HP		1 HP		1 1/2 HP		2 HP		3 HP	5 HP

	A		A		A		A		A		A	
P13L = 0.5 GPM	1600 PSI	2400 PSI	3000 PSI	3000 PSI	3000 PSI	3000 PSI	3000 PSI	3000 PSI	3000 PSI	3000 PSI	3000 PSI	3000 PSI
P14L = 0.9 GPM	790 PSI	1190 PSI	1600 PSI	2400 PSI	3000 PSI	3000 PSI	3000 PSI	3000 PSI	3000 PSI	3000 PSI	3000 PSI	3000 PSI
P21L = 1.3 GPM	540 PSI	810 PSI	1090 PSI	1640 PSI	2180 PSI	3280 PSI	4000 PSI	4000 PSI	4000 PSI	4000 PSI	4000 PSI	4000 PSI
P22L = 1.6 GPM	460 PSI	690 PSI	930 PSI	1400 PSI	1870 PSI	2800 PSI	4000 PSI	4000 PSI	4000 PSI	4000 PSI	4000 PSI	4000 PSI
P23L = 1.8 GPM	400 PSI	610 PSI	810 PSI	1220 PSI	1640 PSI	2460 PSI	4000 PSI	4000 PSI	4000 PSI	4000 PSI	4000 PSI	4000 PSI
P24L = 2.2 GPM	320 PSI	480 PSI	650 PSI	980 PSI	1310 PSI	1960 PSI	3280 PSI	3280 PSI	3280 PSI	3280 PSI	3280 PSI	3280 PSI
P25L = 3.1 GPM	220 PSI	340 PSI	460 PSI	690 PSI	930 PSI	1400 PSI	2340 PSI	2340 PSI	2340 PSI	2340 PSI	2340 PSI	2340 PSI
P30L = 3.6 GPM	190 PSI	300 PSI	400 PSI	610 PSI	810 PSI	1220 PSI	2050 PSI	2050 PSI	2050 PSI	2050 PSI	2050 PSI	2050 PSI
P31L = 3.6 GPM	190 PSI	300 PSI	400 PSI	610 PSI	810 PSI	1220 PSI	2050 PSI	2050 PSI	2050 PSI	2050 PSI	2050 PSI	2050 PSI
P32L = 4.5 GPM	150 PSI	240 PSI	320 PSI	480 PSI	650 PSI	980 PSI	1640 PSI	1640 PSI	1640 PSI	1640 PSI	1640 PSI	1640 PSI
P33L = 4.9 GPM	140 PSI	210 PSI	290 PSI	440 PSI	590 PSI	890 PSI	1490 PSI	1490 PSI	1490 PSI	1490 PSI	1490 PSI	1490 PSI
P34L = 6.2 GPM	110 PSI	170 PSI	220 PSI	340 PSI	460 PSI	690 PSI	1170 PSI	1170 PSI	1170 PSI	1170 PSI	1170 PSI	1170 PSI

	A		A		A		A		A		A	
P41L = 2.6 - 0.5 GPM	1530 PSI	2310 PSI	3000 PSI	3000 PSI	3000 PSI	3000 PSI	3000 PSI	3000 PSI	3000 PSI	3000 PSI	3000 PSI	3000 PSI
P42L = 3.3 - 0.5 GPM	1530 PSI	2310 PSI	3000 PSI	3000 PSI	3000 PSI	3000 PSI	3000 PSI	3000 PSI	3000 PSI	3000 PSI	3000 PSI	3000 PSI
P43L = 4.3 - 1.4 GPM	510 PSI	770 PSI	1020 PSI	1540 PSI	2060 PSI	3000 PSI	3000 PSI	3000 PSI	3000 PSI	3000 PSI	3000 PSI	3000 PSI
P44L = 5.2 - 1.4 GPM	510 PSI	770 PSI	1020 PSI	1540 PSI	2060 PSI	3000 PSI	3000 PSI	3000 PSI	3000 PSI	3000 PSI	3000 PSI	3000 PSI

Below  
650  
PSI

Above  
650  
PSI

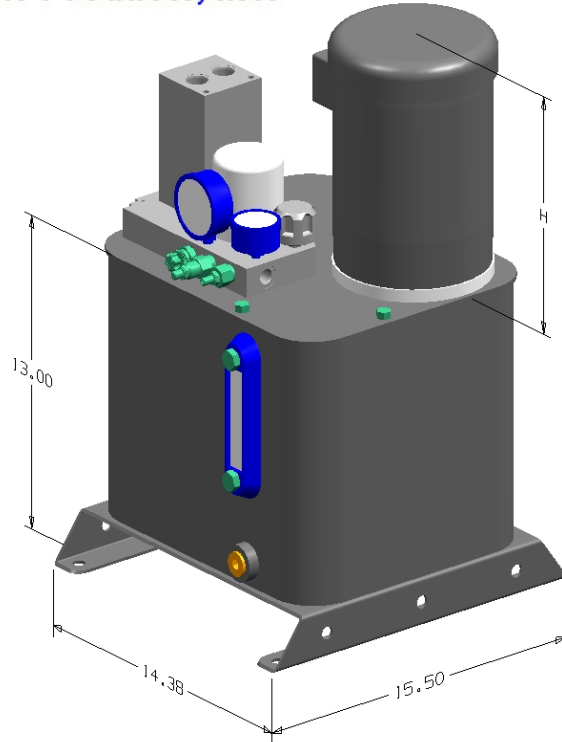
  

\* High capacity element available on series 15 only.

Electrical panels with motor starters are available, contact your Flex Power Pack representative.

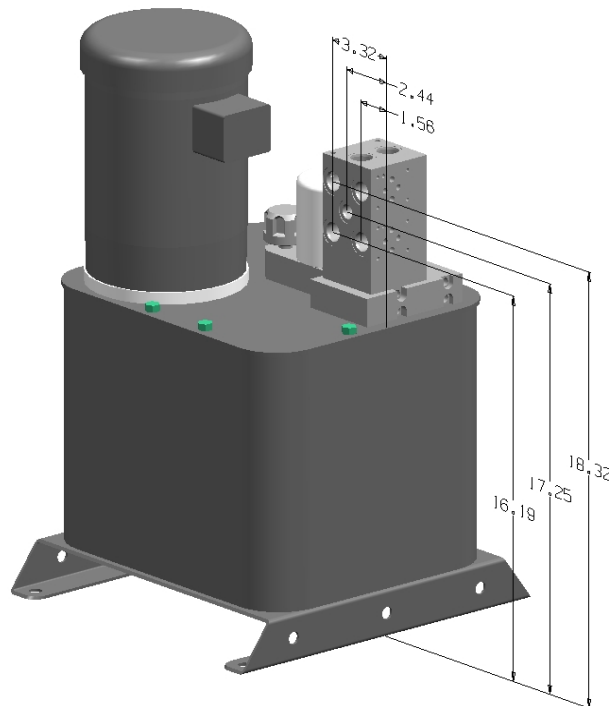


**Flex Power Pack by...  
Fluid Power Products, Inc.**



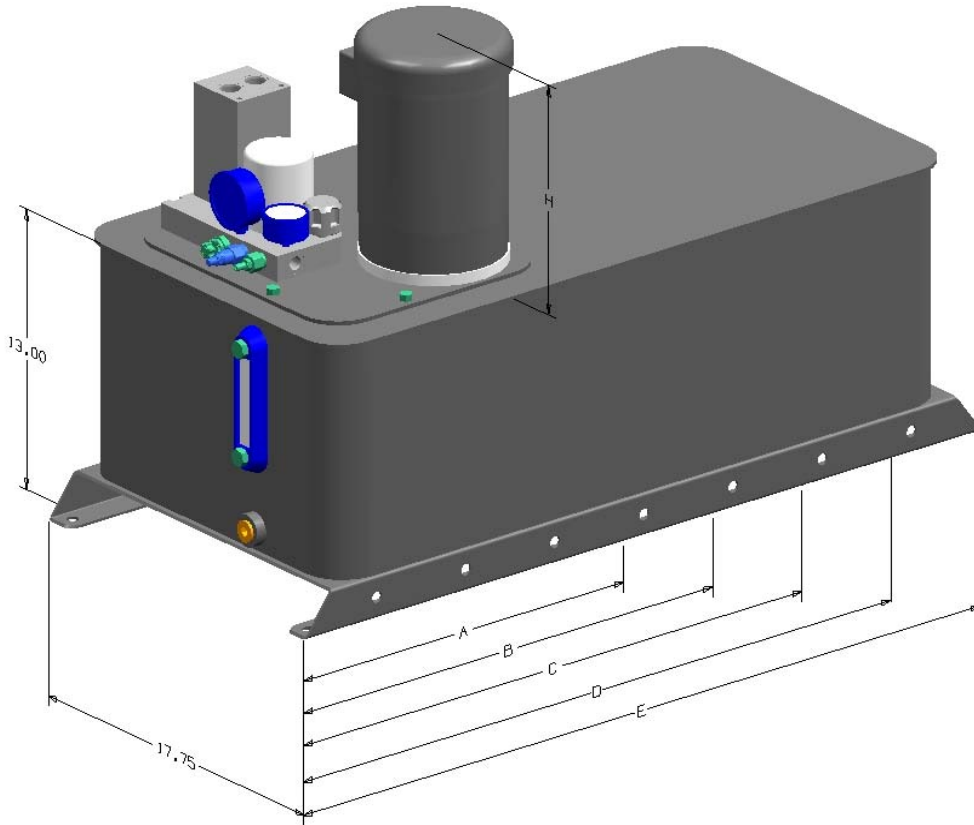
**Series 10 with 5 Gallon (T1L) Reservoir**

	<b>M11</b>	<b>M13</b>	<b>M21</b>	<b>M23</b>	<b>M31</b>	<b>M33</b>	<b>M41</b>	<b>M43</b>	<b>M51</b>	<b>M53</b>	<b>M63</b>	<b>M73</b>
Baldor Motor	VL3504 1/2-1	VM3538 1/2-3	VL3507 3/4-1	VM3542 3/4-3	VL3510 1-1	VM3546 1-3	VL3514 1 1/2-1	VM3554 1 1/2-3	VL3605 2-1	VM3558T 2-3	VM3611 3HP-3PH	VM3615 5HP-3PH
H Height	10.44"	9.79"	10.91"	10.19"	11.69"	10.48"	12.56"	12.74"	14.12"	11.75"	12.63"	14.12"





**Flex Power Pack by...  
Fluid Power Products, Inc.**



**Series 10 7 Thru 25 Gallon Reservoirs**

	M11	M13	M21	M23	M31	M33	M41	M43	M51	M53	M63	M73
<b>Baldor Motor</b>	VL3504 1/2-1	VM3538 1/2-3	VL3507 3/4-1	VM3542 3/4-3	VL3510 1-1	VM3546 1-3	VL3514 1 1/2-1	VM3554 1 1/2-3	VL3605 2-1	VM3558T 2-3	VM3611 3HP-3PH	VM3615 5HP-3PH
<b>H Height</b>	10.44"	9.79"	10.91"	10.19"	11.69"	10.48"	12.56"	12.74"	14.12"	11.75"	12.63"	14.12"
<b>A</b>	T2L 18" 7 Gallon											
<b>B</b>	T3L 23" 10 Gallon											
<b>C</b>	T4L 28" 15 Gallon											
<b>D</b>	T5L 33" 20 Gallon											
<b>E</b>	T6L 38" 25 Gallon											

